

Job Name: _____
 Location: _____
 Contact #: _____



Specifications

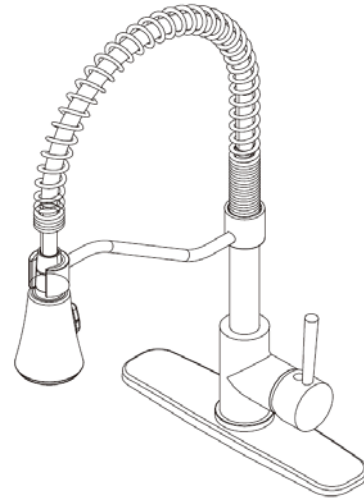
Model

405352– Chrome finish
 405353– Brushed Nickel With PVD finish

Spring Commercial Pull-down Kitchen Faucet

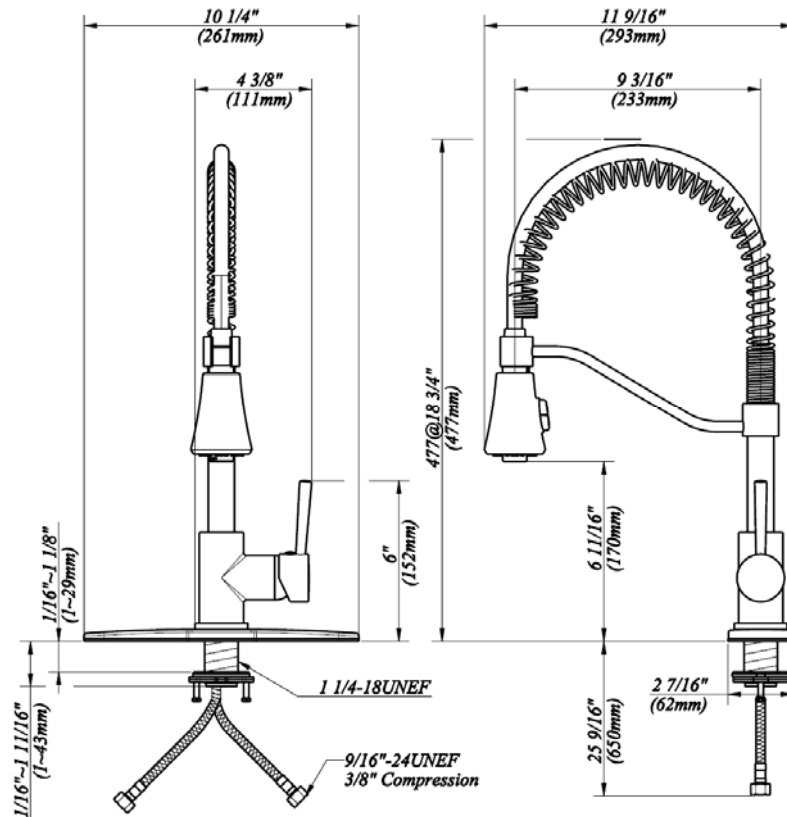
Description

- Lead free brass waterways
- Fits 8" center holes
- Drip-free ceramic cartridge
- Metal lever handle
- Water saving aerator
- Max flow rate: 1.8 GPM at 60 PSI
- 100% Factory Pressure Tested



Standards

- A ANSI/ASME A112.18.1
- IAPMO/cUPC
- NSF/ANSI 61 – Sec. 9
- NSF/ANSI 372
- ADA
- Galgreen
- * ≤ .25% Pb



Technical Support

888-328-2383

Manufacturer model# P4A0045

Warranty Parts List

#	Description	Part #
1	Metal Handle	A069361
2	Index Button	A66G473
3	Trim Cap	A103016
4	Locking Nut	A104002
5	Ceramic Disc Cartridge	A507348N
6	Support Guide Kit	A66G506
7	Spray Hose	A515002N
8	Spray Head	A523484N-54
9	Cover Plate & Putty Plate	A667003
10	Mounting Hardware Assembly	A663134

Spring Commercial Pull-down Kitchen Faucet

